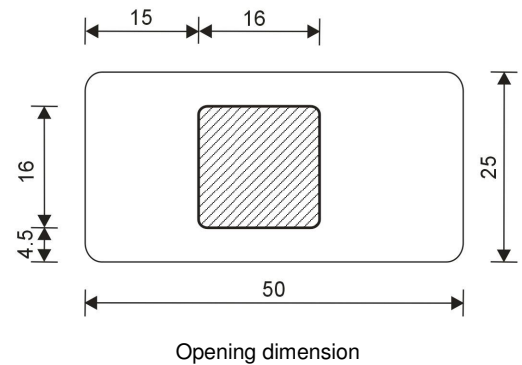
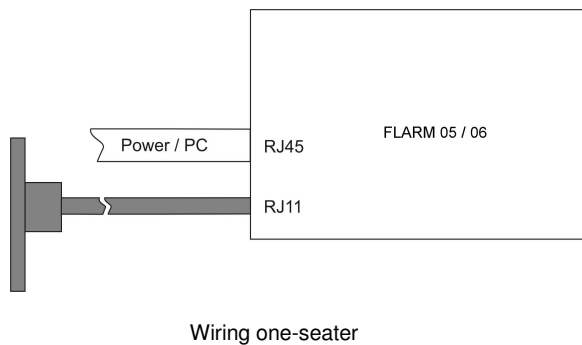


Installation of the external Display

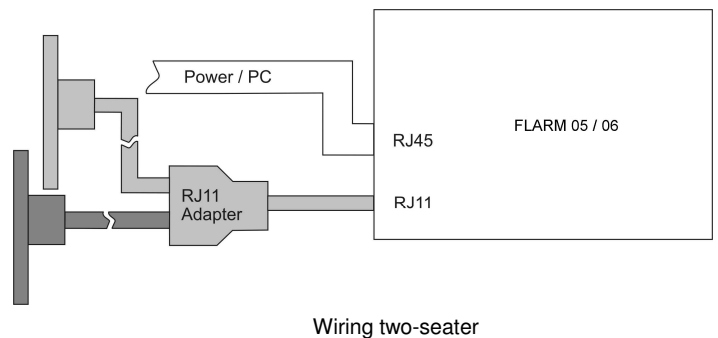
The display is supplied with a double sided sticky tape which is suitable for a clean and flat surface. The glue cures within 24 hours. If used on a rough surface a thicker and spongy sticky tape should be used. The display should be mounted in such a manner that the pilot can view it easily, that he can hear the acoustic signal and that he can reach the button "Mode".
Minimum compass distance: 25 cm
An opening of 16 x 16 mm for the cable is needed on the instrument panel (see drawing).



Connection with FLARM



For the electrical connection the supplied 4-pole cable with a plug for the external display and a RJ11 / 12 plug for the FLARM should be used.
(RJ11 / 12: small plug with 4 / 6 pin)

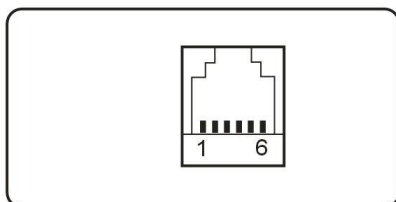


If in a two-seater 2 external displays are to be installed the 2 displays should first be connected to each other by means of a Y-adaptor (RJ11, 4 poles). With help of the 4-pole cable this adaptor is then connected to the FLARM (RJ11 / 12), (see drawing).

The FLARM Hardware version 1 (2004) are only equipped with one RJ45 plug. To ensure that the power supply cable to the FLARM and the connection to the external display can be plugged in, a Y-adaptor is needed. This adaptor is plugged in directly into the FLARM and then offers 2 plugs for the connection of the 2 cables. All FLARM and external display versions work together perfectly.

The Y-adapter RJ11 / 12 (3 plug openings) and RJ45 (2 plug openings and 1 plug) are standard telephone accessories. Additional 4-pole cables and optional Y-adaptors can be ordered from EDIATec.

Pin Connections



Drawing of back of external display

- 1: not used
- 2: +3 VDC
- 3: GND
- 4: RX = external display receives data
- 5: TX = external display sends data
- 6: not used

The supplied 4-pole cable as well as the Y-adapter are wired 1:1 (pin 1 of plug 1 connected to pin 1 on plug 2, etc).

Technical data

- o Weight: 11 g (without cable and adapter)
- o Size: 25 x 50 x 4.7 mm exkl. RJ11 Plug (approx. additional 10 mm to the rear)
- o Power: +3 VDC from FLARM, typical drain 30 mA bei 3 V (90 mW)

EDIATec refuses any warranty claims resulting due to incorrect installation and any claims outside the warranty.